

HDX-XT

4K Video and USB 2.0 KVM Extender



HDMI USB KVM Extender over Cat5e/Cat6

FEATURES:

- Zero pixel loss with TMDS signal correction
- Full HD Support: 1080p @60Hz @24/26/48bit/pixels
- Extends a signal over a single CAT5e/6/7 cable up to 100m/328ft.
- Supports USB 2.0 Control
- Supports Bi-Directional SPDIF IN/OUT and available for multi-channel audio
- Fully compliant with HDMI 1.4 and compatible with HDMI 2.0
- DTS-HD Master Audio and More
- Transfer Bidirectional Infrared control signal together with HDMI signal

APPLICATIONS:

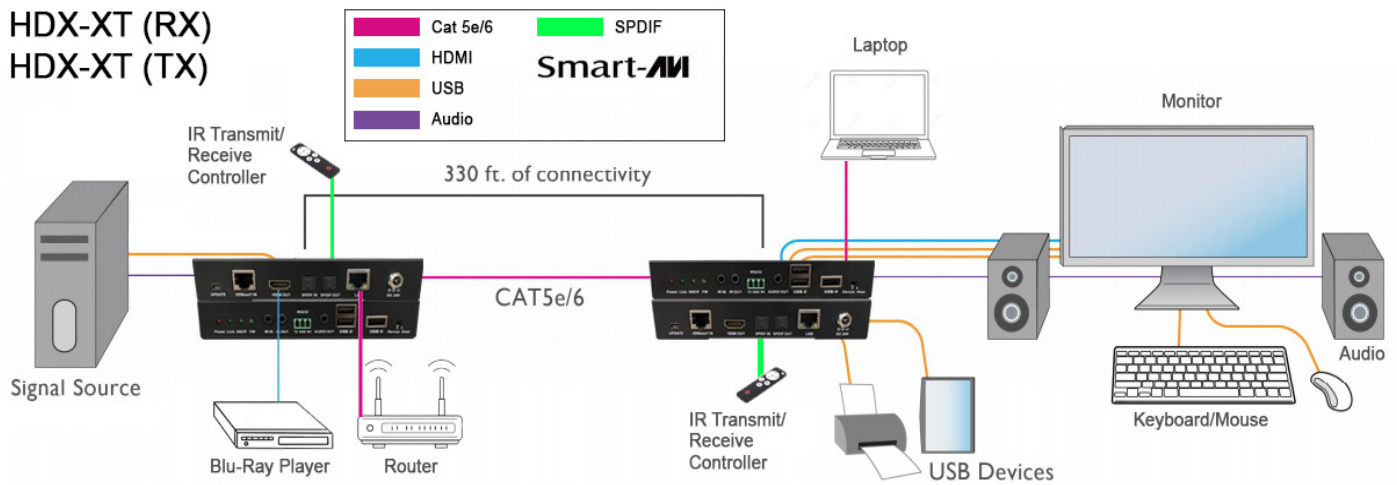
- Digital Signage
- Education
- Airports
- Control Rooms
- Audio/Visual Presentations
- Shopping Centers
- Hotels/Resorts
- and MANY more



Designed and Manufactured in the USA

INTRODUCTION

The HDMI USB KVM (Keyboard, Video, Mouse) Extender is a tool which can extend your HDMI signal over 328ft./100 meters to a compatible display. It is designed to convert HDMI signal to standard signal which can be transmitted by CAT5e/CAT6/CAT7 cable. It also supports Transfer Bidirectional Infrared control signal and RS232 control signal. The HDX-XT also supports the connection of a USB host and 2 USB device ports.



HDX-XT (TX) Front



HDX-XT (TX) Rear

TECHNICAL SPECIFICATIONS:

VIDEO	
Format	HDMI
Input Interface (RX)	(1) IR In, (1) Optical (Spdif In), (1) Extender, (1) USB-H
Output Interface (RX)	(1) HDMI, (1) LAN, (2) USB, (1) IR Out, (1) Audio Out, (1) RS-232, (1) Optical (Spdif out)
Input Interface (TX)	(1) HDMI, (1) LAN, (1) USB-H, (1) IR-IN, (1) RS-232, (1) Optical (Spdif in), (1) Audio In
Output Interface (TX)	(1) IR Out, (1) Optical (Spdif out), (1) Extender Out, (2) USB-D
Resolution	480p, 720p, 1080i, 1080p/60Hz, 4K/30Hz
Max Output Distance	1080p@60 100m (330ft) [CAT5/5e/6] 4K2K (4:2:0 8bit) 80m (264ft) [CAT5/5e/6]
Equalization	Auto
Input TMDS Signal	1.2 Volts [peak-to-peak]
Input DDC Signal	5 Volts [peak-to-peak, TTL]
Video Bandwidth	Single-Link 340 MHz (10.2 Gbps)
AUDIO	
Format	HDMI
Input Interface	3.5 mm Jack Socket (Female)
Output Interface	3.5 mm Jack Socket (Female)
USB	
Format	USB 2.0
Input Interface	1.1 with full emulation
RS-232	
Format	Full duplex TXD, RXD signal
SYSTEM	
Interface	RJ45
Cable Requirements	CAT5/5e/6
Maximum Length	330 ft. (100m)
OTHER	
Approvals	UL, CE, ROHS Compliant
Power	DC 12V 1A
Operating Temperature	32 - 104°F (0-40°C)
Storage Temperature	-4 - 140°F (-20 - 60°C)
Humidity	Up to 95%
Dimensions	160 (W) X 97 (D) X 28 (H)
Weight	450g/TX, 450g/RX

WHATS IN THE BOX?

Model Number	Description
HDX-XT-S	(1) HDX-XT 4K Extender with USB 2.0 - Transmitter and Receiver Unit(s); Quickstart Guide, [(x2) DC 12V 1A]